

IX-DV, IX-DVF IP Addressable Video Door Stations for the IX Series



DESCRIPTION

The IX-DV (surface mount) and IX-DVF (flush mount) are weather resistant, (IP65) IP addressable video door stations. They connect to a network using Cat-5e/6 cable and are both SIP compliant. Each station is equipped with a 1.23 megapixel fixed color camera. The camera angle can be vertically adjusted using a lever on the back of the station. The video can be streamed to 3rd party devices using ONVIF Profile S or RTSP. Audio and video can be captured on a microSD™ card. The IX-DV and IX-DVF can be programmed to call up to 20 different stations. There are 3 different call level selections. The stations have a 600Ω output that can be used for paging or communication. There are 2 contact outputs that can be programmed to trigger during door release, when the 600Ω output is used or based on the status of the station. There are 6 inputs that can be used to trigger an outgoing call or answer a call/page. Sound files can be uploaded for custom messages to be played during certain functions (door release, call placed, communication start, error message). The stations have audible and visual indications for calling, communication, and door release.

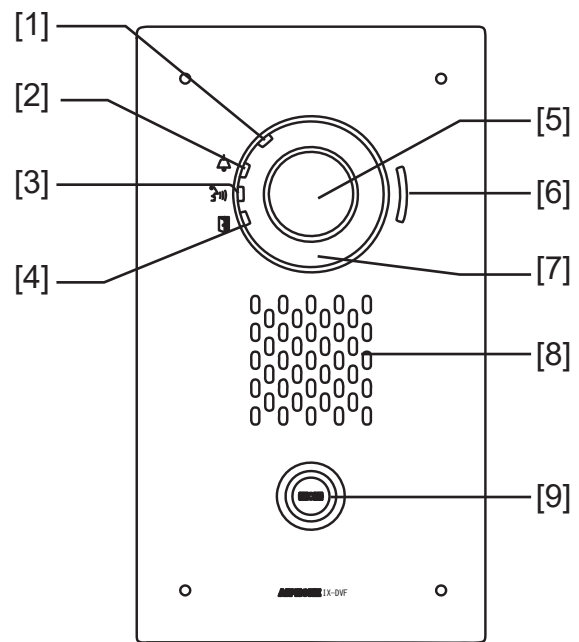
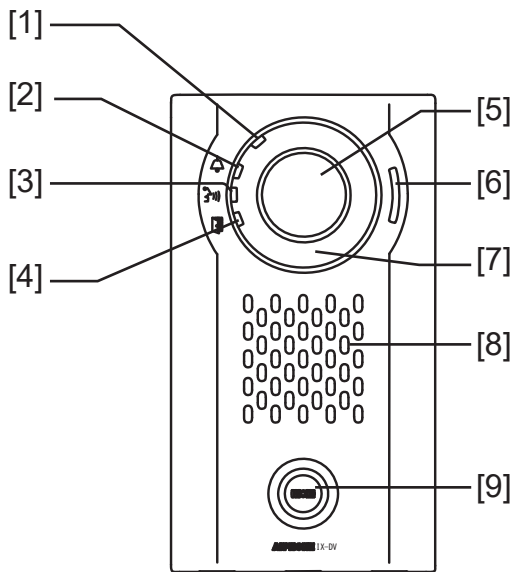
FEATURES

- SIP 2.0 compliant
- 1.23 megapixel fixed color video camera
- White LED for low light illumination
- ONVIF Profile S compliant
- Camera vertical adjustment +15°, 0° or -8° (manual)
- Slot for microSD card (not provided by Aiphone)
- Weather and vandal resistant (IP65)
- 2 contact outputs
- 6 trigger inputs
- Anodized aluminum (IX-DV), stainless steel (IX-DVF)
- 802.3af PoE compliant
- RJ45 in/out with PoE pass through (802.3at Type 2 PoE+)

IX-DV, IX-DVF

IP Addressable Video Door Stations for the IX Series

FEATURE CALL-OUT



FEATURE CALL-OUT DEFINITIONS

- [1] Status indicator (orange/blue)
- [2] Call indicator (green)
- [3] Communication indicator (orange)
- [4] Door release indicator (green)
- [5] Microphone
- [6] Camera
- [7] Low light LED
- [8] Speaker
- [9] Call button

SPECIFICATIONS

Power Source:	PoE (IEEE 802.3af class 0) or 24V DC (PS-2420UL)
Power Draw:	5.28 Watts
Camera:	1/3" CMOS 1.23 megapixel
Min. illumination:	5 lux
Audio Codec:	G.711 (μ -law, A law), G.722
Video Codec:	H.264/AVC, motion JPEG
Protocols:	IPv4, IPv6, TCP, UDP, SIP, HTTP, HTTPS, RTSP, RTP, RTCP, IGMP, MLD, SMTP, FTP, DHCP, NTP, DNS
Port Security:	IEEE 802.1X
Operating Temp:	-40° - 140°F (-40° - 60°C)
Protection:	IX-DV IP54, IK08 IX-DVF IP65, IK08
Dimensions:	IX-DV 8-1/16" H x 4-1/2" W x 2-1/16" D IX-DVF 10-7/16" H x 5-7/8" W